

THANK YOU FOR PURCHASING ENTRE PRISES DRY ICE CLIMBING PANELS!

We take pride in our products. Our climbing walls and handholds are the best available. We provide the largest selection of climbing walls and accessories. Thousands of satisfied customers make Entre Prises climbing walls and holds the number one choice throughout the world.

The Dry Ice Panels are designed to provide hours of fun and stimulation.



INSTALLATION RECOMMENDATIONS FOR DRY ICE™ PANELS

COPYRIGHT ENTRE PRISES USA, Inc. 2001
ALL RIGHTS RESERVED

THIS WORK MAY NOT BE USED OR REPRODUCED IN ANY MANNER WITHOUT THE PRIOR
WRITTEN CONSENT OF ENTRE PRISES USA.

THE UNAUTHORIZED REPRODUCTION OR USE OF THIS WORK IN ANY
FORM OR BY ANY MEANS MAY RESULT IN CIVIL OR CRIMINAL PENALTIES.

Dry Ice™ Panel Installation Recommendations

Hardware and handholds are not included

NOTE: A competent individual must evaluate the support wall construction. As a general guideline, the support wall and attachment of climbing wall must resist an outward point load in excess of 300 lbs., a distributed outward load of 500 lbs. per every 5 lineal feet, and a vertical point load in excess of 500 lbs.

LEAD BOLT OR TOP ROPE ANCHORS MUST BE DESIGNED INDEPENDANTLY BY A LICENSED ENGINEER.

Dry Ice Panels are intended to be installed in a vertical to less than vertical orientation. Any installation in an overhanging configuration can greatly increase the fastening requirements, and can be dangerous due to increased likelihood of placement / pick tear out.

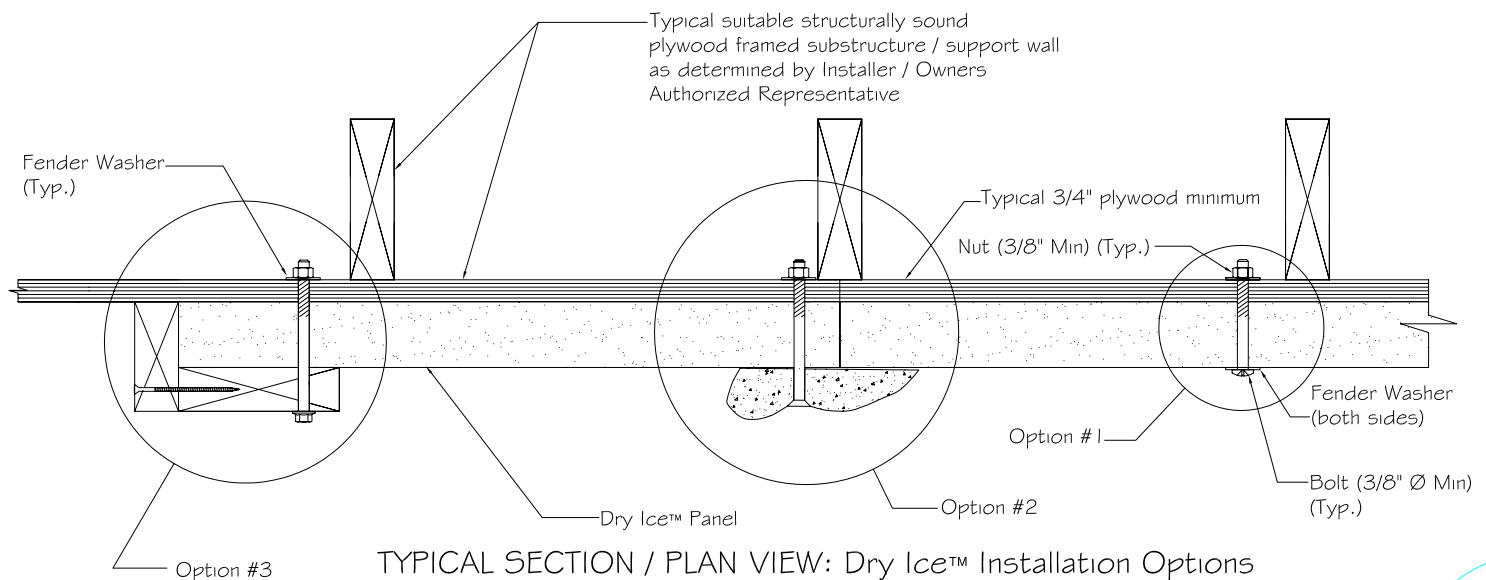
Entre Prises USA is not responsible for attachment details or existing wall capacity in any way.

The Purchaser retains full responsibility for verifying that the support wall can handle the additional loads and for specifying a suitable fastening detail.

If uncertain of how to properly connect Dry Ice Panels to your building or framing consult a local contractor or structural engineer.

The details shown on this page are suggested connection details only. *

- * **Option #1:** Fasten Dry Ice Panels to plywood support surface using through bolts (3/8" Min) with locking nut or lock washer and a 3/8" SAE washer (2" Min Diameter).
- * **Option #2:** Utilize a large modular handhold to fasten Dry Ice Panels at seams to plywood support surface using bolts (3/8" Min) with locking nuts or lock washer. Overlap the edge of the handhold against the end of the adjacent Dry Ice Panel thus capturing the panel. The handhold that is used must be large enough to overlap the Dry Ice Panel a minimum of 3".
- * **Option #3:** Use through bolts and wood framing to capture the edge of the Dry Ice Panel.
- * Minimum edge distance for fasteners is 3" of material between edge of panel and edge of bolt hole. Minimum fastener spacing is 24" linear along all edges.



SAFETY:

Entre Prises strongly recommends the use of pads or impact absorbing devices at the base of the climbing/bouldering wall. Close adult supervision should be supplied when children are using the wall. Climbing can be dangerous, which may result in serious injury or death. The purchaser is solely responsible for learning and using the proper techniques and safety measures. The purchaser assumes all risk and responsibility for damages, injury or death, which may result in the use or misuse of this product.

WARRANTY:

All Entre Prises Dry Ice™ Panels are guaranteed against defects in workmanship or materials upon shipment. Note: Dry Ice™ Panels will show markings from ice tools and crampons and do have a finite usable life. Aggressive use / Aggressive Ice tool removal can accelerate normal wear cycles. Modified ice picks (removal of teeth) can greatly enhance the product life through ease of placement / pick removal. Dry Ice is not a “self-healing” product and will show wear over time.

QUESTIONS:

If you have any questions about the usage, assembly or installation of this Entre Prises product or require more or other climbing wall products, Simply contact our office.

Either call us at **541-388-5463** from 8:30 to 5:00 PM Monday through Friday PST; write us at 20512 Nels Anderson Pl. Bend, OR 97701 ;or Email us at paulp@epusa.com

